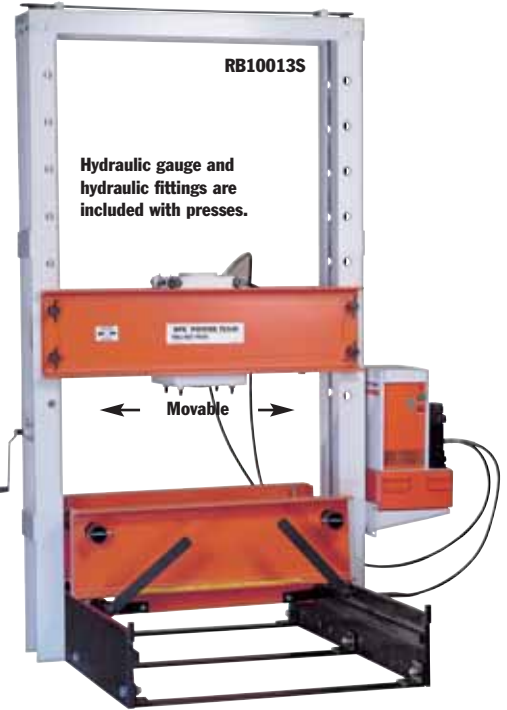


Roll-Bed® Press

80-200 Ton
H Frame

CE



Heavy-Duty Straightening Fixtures



No. SF50 – Fixtures for use with 80-ton Roll-Bed® presses or 55-ton heavy-duty shop presses. (2 ea.). Wt. 47,2 kg. **Not part of press, order separately.**



No. SF150 – Fixtures for use with 100-, 150- and 200-ton Roll-Bed® presses and 100-ton shop presses only (1 pr.). Wt.89 kg. **Not part of press, order separately.**

SHOP EQUIPMENT

- The original, patented Roll-Bed® design. Bed rolls out for easy loading and unloading with a crane or other lifting device.
- Movable workhead glides easily side-to-side for full off-center load capacity across width of upper frame.
- "Daylight" is 1.283 x 1.524 mm for 80- and 100-ton models; 1.302 x 1.625 mm on 150- and 200-ton presses.
- Fast approach of double-acting, 334 mm stroke cylinder is provided by PQ1204S "Quiet" electric/ hydraulic pump with remote control hand switch. Operator can view work from all sides with fingertip control of cylinder piston travel.

PRESS FEATURES:

- **Roll-Bed® design** – Bed glides in or out on bearings to make loading and unloading fast and easy.
- Adjustable lower bed width – For secure balancing and centering of heavy jobs. Loosen adjusting bolts to adjust bed from 102 to more than 686 mm. See dimension "H."
- **Movable workhead** – For off-center pressing jobs, workhead moves on bearings across upper bolster. Presses can be used at full capacity, regardless of where workhead is placed.
- **Lifting mechanism** – Simply turn crank handle to raise or lower upper bolster. Screw mechanism raises or lowers both sides evenly (a heavy-duty 1/2" drill motor can replace handle for automatic adjustment). Four locking pins hold bolster in place for pressing.

- **Optional heavy-duty straightening fixtures** – Make straightening jobs easy and accurate to within 0.1 mm! Rollers are ball bearing mounted and handle raises or lowers for easy turning of the work.

PUMP ELECTRICAL SPECIFICATIONS

PQ120 Series – 2,24 KW, 380 volt, 50 cycle, three phase.

NOTE: Different voltage and valve options can be obtained by substituting certain PA, PE or PQ series pumps. Consult the factory.



Lifting screw and locking pins make bolster raising a one-man job.



Bearings make bed positioning smooth and easy.

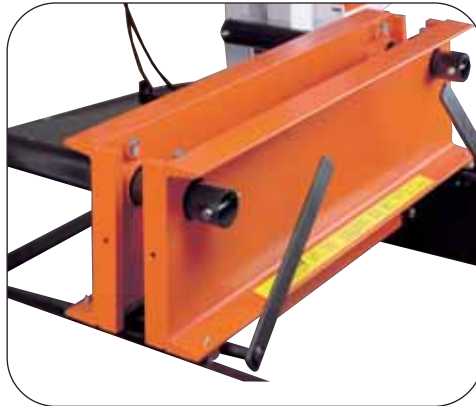


Lever lowers bed for pressing, raises it for rolling.

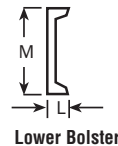
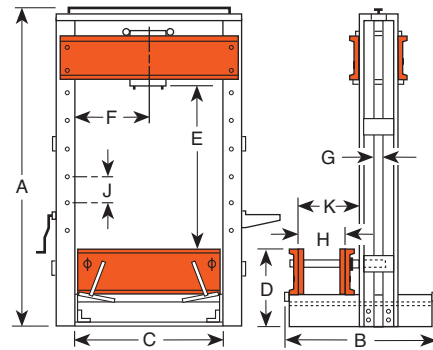
CE



Cylinder is easily moved across width of upper bolster.



Width adjusts from 102 mm to over 686 mm; is secured with locking bolts.



SHOP EQUIPMENT

DIMENSIONS

Cap (Tons)	A (mm)	B (mm)	C (mm)	D (mm)	E (mm)	F (mm)	G (mm)	H (mm)	J (mm)	K (mm)	L (mm)	M (mm)	Floor Space (mm)
80	2.861	1.632	1.283	686	305-1.524	368-914	76,2	102-692	203	927	86	381	1.632-1.537
100	2.861	1.632	1.283	686	305-1.524	368-914	76,2	102-692	203	927	86	381	1.632-1.537
150	3.131	1.734	1.302	762	229-1.626	352-949	76,2	102-689	279	946	105	457	1.734-1.607
200	3.131	1.734	1.302	762	229-1.626	352-949	76,2	102-689	279	946	105	457	1.734-1.607

ORDERING INFORMATION

Capacity (tons)†	Type of Cylinder Used	Stroke (mm)	Cylinder Model	Order No.	Speed (mm/min.)††	Type Pump	Valve Type	Pump‡ Model	Prod. Wt. (kg)
80	Double Acting	333	RD8013	RB8013S	1.168	190	Elec.	4-way* PQ1204S-E380	1.307
100	Double Acting	333	RD10013	RB10013S	889	147	Elec.	4-way* PQ1204S-E380	1.334
150	Double Acting	333	RD15013	RB15013S	610	99	Elec.	4-way* PQ1204S-E380	2.019
200	Double Acting	333	RD20013	RB20013S	457	74	Elec.	4-way* PQ1204S-E380	2.059

* Solenoid valve with 24 volt remote control hand switch.

† Frame is shipped assembled.

‡ Pump standard with press. Other Power Team pumps can be substituted. dBA at idle and 700 bar: PQ120-73/78; measured at 0,9 m distance, all sides.

†† Typical performance based on 7 bar and 700 bar pump specifications. Actual speeds may vary with operating conditions.