



Electric Hydraulic Pump Units

Technofast Electric Hydraulic pump units (PU-EH2000SC) are supplied as standard 2000 BAR rated for the convenience of multiple applications.

All units are supplied as standard;

- 230 Volt single phase
- Pressure Gauge with 6 litre reservoir capacity
- Stainless Steel Roll Protection frame

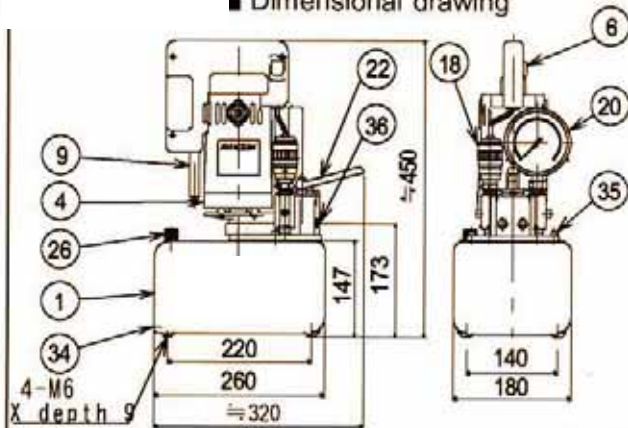
Electric Pump Features;

- Compact and light weight
- Low noise / super quiet pump unit
- Automatic high-low pressure switching for improved work efficiency
- A pressure gauge & pressure switch are included in each model



PUEH2000SC

■ Dimensional drawing



■ Parts list

No.	Name	Remarks
1	Reservoir	
4	Electric motor	Commutator
6	Operation switch	SW-3C
9	Power cable	3m
18	Pressure switch	SPS-2K
20	Pressure gauge	
22	Directional control valve	
26	Air valve and oil feeding port, with level gauge	
34	Drain port	Rc1/4
35	Return port	Rc3/8
36	Output port	M14x1.5

■ Hydraulic circuit

